

## Minilux light sensor for outdoor mounting

- 43-198 for connection to Minilux Control 18-093, 36-092 and 36-080
- 24 V DC
- Screw terminal connection
- Protection class IP 54

Minilux light sensor 43-198 is for outdoor lighting control.

The light sensor has screw terminal connection, so there is no need for extra junction boxes.

The light sensor has a IP54 protection class.

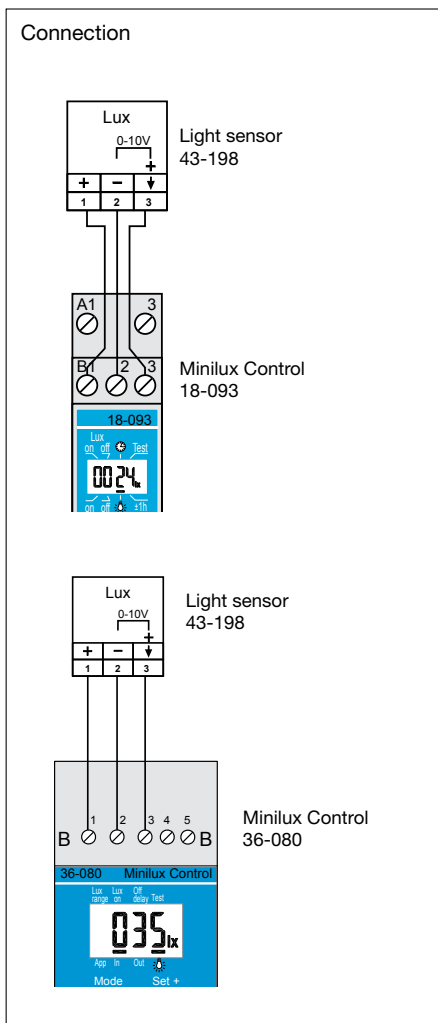
### Please note!

If the light sensor is connected to a class I Minilux Control (18-093), the wiring to the sensor must be set up as for power current.

### Placement:

By placement on a wall you must make allowance for the shadow effects on the sensor. (see fig. 1)

The sensor must be placed notherly, because north is lightneutral in proportion to the sun's daily cycle east-south-west.



## Technical data

**Input**  
Supply voltage 24 V DC  $\pm$  10%

**Output**  
Output voltage 0-10 V

**Performance**  
Lux ranges: 3...300 lux, 30...3K lux  
300...30K lux, 600...60K lux

Protection class IP 54

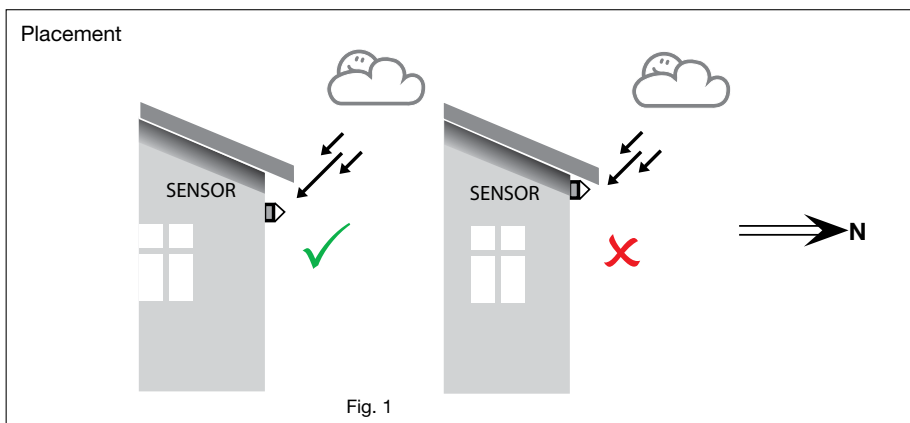
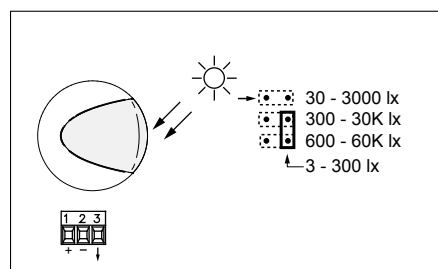
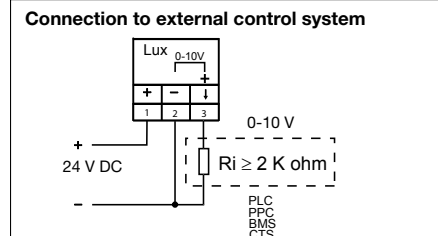
Connection Screw terminals

Distance from Control Max. 100 m

Cable: Class I Control 3 x 1,5 mm<sup>2</sup>

Cable: Class II Control 0,6 mm

Ambient temperature -40°C...+50°C



## More info

18-093 Day/night switch	Page 57
36-080 Minilux Control	Page 65/77
Sensors for lighting control	Page 9
Example	Page 6
Project planning	Page 23
Minilux system	Page 25
Luxstat system	Page 37

## Order numbers

Product	Type	EAN no.
Minilux light sensor	43-198	5703102 203595
Complete with Day/night switch with blocking		
(18-093 + 43-198)	18-193	5703102 203489
(36-092 + 43-198)	36-192	5703102 203915
Minilux Control	18-093	5703102 203267
Minilux Control	36-092	5703102 203908
Minilux Control	36-080	5703102 203298