

Technical data

Input	
Supply voltage	24 V DC \pm 10%
Output	
Output voltage	0-10 V
Performance	
Lux ranges:	3...300 lux, 30...3K lux 300...30K lux, 600...60K lux
Protection class	IP 20
Connection	Screw terminals
Max. distance to Control	100 m
Cable - Class II control	0,6 mm
Ambient temperature	-40°C...+50°C

Minilux light sensor 0-10 V for indoor mounting

- **For connection to:**
 - Minilux Control 36-080
 - Luxstat Control 78-0XX
- **Screw terminals**
- **Protection class IP 20**
- **4 lux ranges:**
 - 3...300 lux
 - 30...3.000 lux
 - 300...30.000 lux
 - 600...60.000 lux

The Minilux Sensor 43-197 is a light sensor which covers a number of lux ranges and is intended to control indoor lighting.

The Minilux Sensor 43-197 has screw terminal connection, so there is no need for extra junction box.

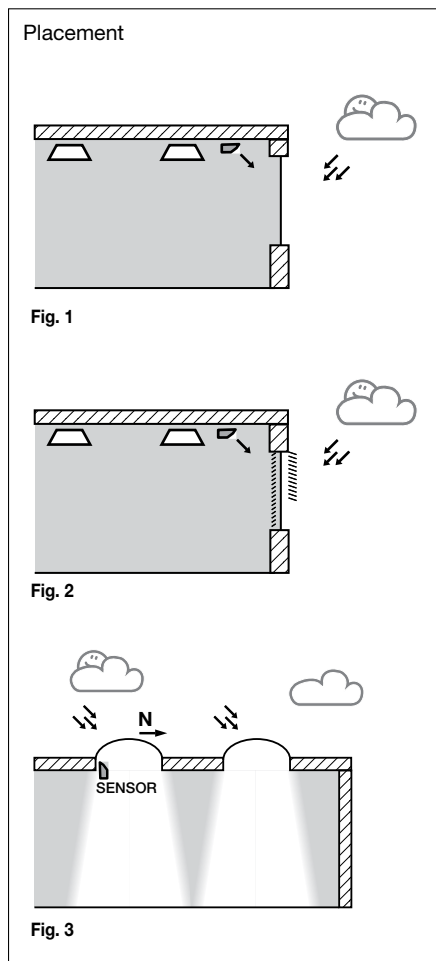
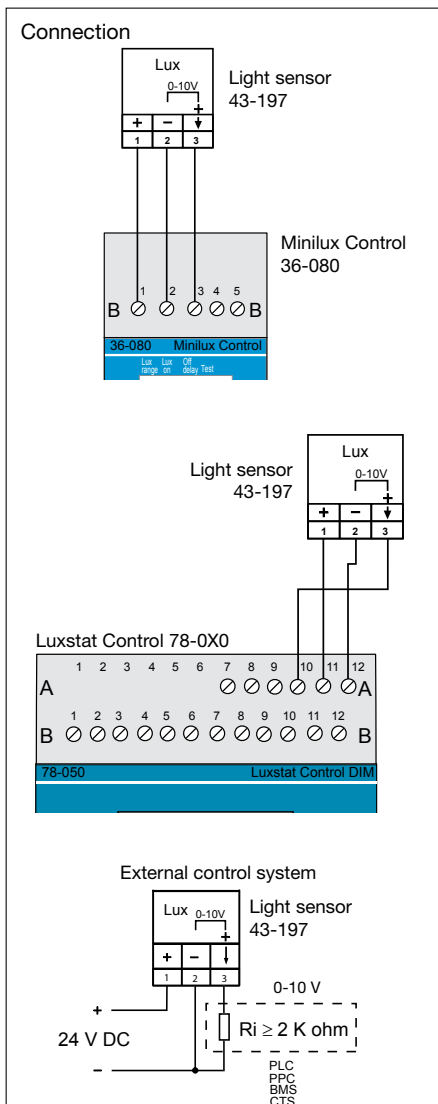
If the location requires a higher protection class than IP20, use type 43-198 which has a IP54 protection class or mount the IP54 kit 43-996.

Placement:

Fig. 1: When daylight enters the room from the side, the light sensor must be placed so that it "sees" the incoming daylight.

Fig. 2: The light sensor must be placed behind any curtains or sunblinds fitted behind the window.

Fig. 3: The light sensor should be placed so that it "looks" directly up at the sky. To avoid direct sunlight, place the light sensor as shown.



More info

36-080 Minilux Control	Page 77
78-000 Luxstat Control On/Off	Page 78
78-050 Luxstat Control Dim	Page 80
Sensors for lighting control	Page 9
Examples	Page 28-31, 42
Project planning	Page 23
Minilux system	Page 25
Luxstat system	Page 37

Order numbers

Product	Type	EAN no.
Minilux light sensor	43-197	5703102 203311
Minilux Control	36-080	5703102 203298
Luxstat Control On/Off	78-000	5703102 201348
Luxstat Control Dim	78-050	5703102 201355
Minilux light sens. IP54	43-198	5703102 203595
IP54 Kit for 43-197	43-996	5703102 201058