

PD-360

A 360° view PIR sensor designed for flush-mount into the ceiling. The effort to obtain an elegant and inconspicuous design has succeeded in reaching a device diameter of only 23 mm.

- Truly inconspicuous – just 23 mm diameter
- Elegant design
- Parallel connection supported
- 360° sensing

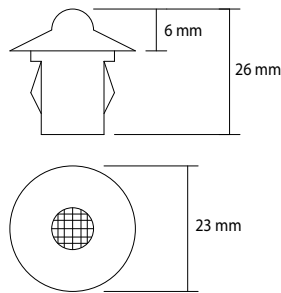


PD-360

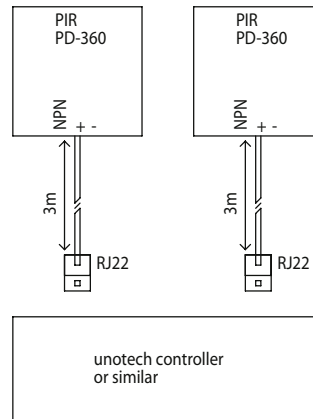
For use with:

- PIF230/6A
- PIF24/6A
- PIFE

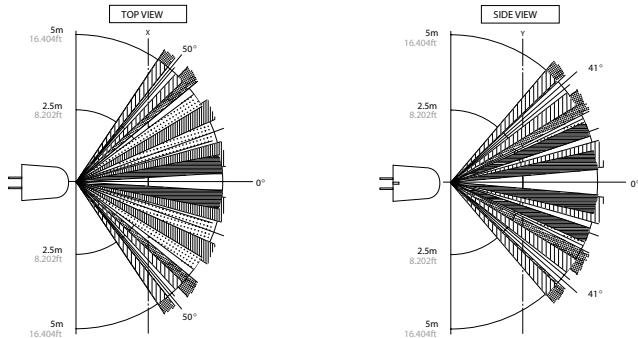
Dimensions:



Installation:



Coverage:



A useful hint:

Carefully consider the right positioning of the PIR sensor as this is of major importance for optimum functioning.

Detailed user instructions are ready for download at our website www.unotech.dk

Type	PD-360	
EAN-no.	-	5706499080381
Supply Voltage	V	5V
Idle Current	mA	0,3
Current when Active	mA	1
Output Signal	-	ON/OFF, NPN
Detection Range	m	Distance 6 thru 8m at Level 2.5m
Cable Length	m	Max 100m
Encapsulation Class	-	IP20
Ambient Temperature (ta)	°C	+5 thru +40
Air Humidity	-	20 thru 95% RH, non condensing
Weight	kg	0,020
Dimensions (Diameter x Depth)	mm	Ø23x26
Colour (Enclosure)	-	White
Material (Enclosure)	-	ABS Fire Retardant



Specifications are subject to change without notice