



Trailing Edge Dimmer for dimmable 230V LED lamps ([main brands](#))

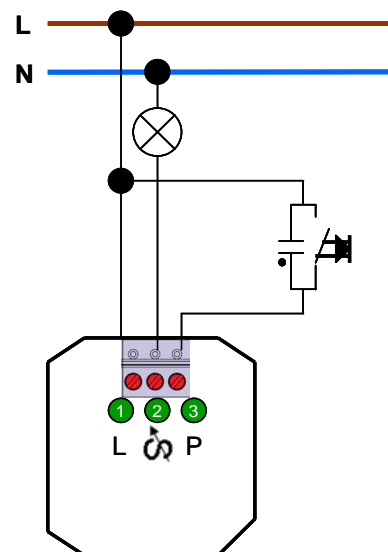
Pushbutton dimmer with memory that varies the intensity light and electrical consumption. Its control range is from 5% to 95%, aprox. the same percentage of energy savings produced by dimming

It supports up to 4 pushbutton with light indicator (neon/ led) inside or unlimited pushbuttons without light indicator.

Functions

- Used for pushbuttons. Installation in standard boxes behind a pushbutton possible due this doesn't need the Neutral connection to feed it
- Small design (14 mm)
- Memory of the last dimming value even power failure
- Protection against overload, short circuit and overheat
- Softstart function

Electrical Connection



Technical Specifications

	LED DIMMER C-300 RLC Trailing Edge Dimming	LED DIMMER L-500 RL Leading Edge Dimming
	EN320300	EN310500
Supply Voltage	230Vac/50Hz	100 ~ 230Vac/50-60Hz
Power Consumptions	0.5W	
Electrical protection	overload, short circuit and overheat	overload, short circuit and overheat
Dimensions	47x47x14 mm	47x47x14 mm
Weight	27 gr.	27 gr.
Mounting	Flush mounted fitting	Flush mounted fitting
Working temperature	0° ... +40°C	0° ... +40°C
Type of protection	IP20 to DIN EN 60629	IP20 to DIN EN 60629
Housing	ABS V0 (fireproof) white	ABS V0 (fireproof)white
Type of lamps	dimmable LED lamps, Halogen, Incandescent	dimmable LED lamps, Halogen, Incandescent
Dimmable 230V ≈ LED lamps - Trailing edge dimming	5-300W	
Dimmable 230V ≈ LED lamps - Leading edge dimming		5-500W
Normative	CE -RoHS EN55015/A1/A2 EN61547/A1 EN60669-1/A1/Err EN60669-2-1	CE -RoHS EN55015/A1/A2 EN61547/A1 EN60669-1/A1/Err EN60669-2-1